



# Thermia WT-T



## Non-corrosive water heaters with TWS coil

**Thermia WT-T** is a water heater with a TWS coil providing highly effective heating of hot tap water. The water heater's non-corrosive, tempered design makes it extra corrosion-proof, with no cathodic protection required in the tank.

The heater's TWS technology\* provides extremely effective heat transfer and enables better water stratification than traditional technology. This means that water heats more quickly, energy usage is reduced, and hot water lasts longer when there are large draughts. Hot water production using hot gas converters means even greater benefits are reaped from the TWS technology.

Thermia WT-T has a socket for the electric heating element and hot water circulation. This is a useful closure device in building solutions as it ensures that the temperature of running hot tap water is correct.

Thermia WT-T is available in 300 and 500 litre sizes and can be cascade-connected if demand is high. In other words, they can be used with heat pumps in family homes and also in larger systems in buildings.

\* TWS = Tap Water Stratificator. Patented heating technology for hot water production, developed by Thermia.

WT-T 300



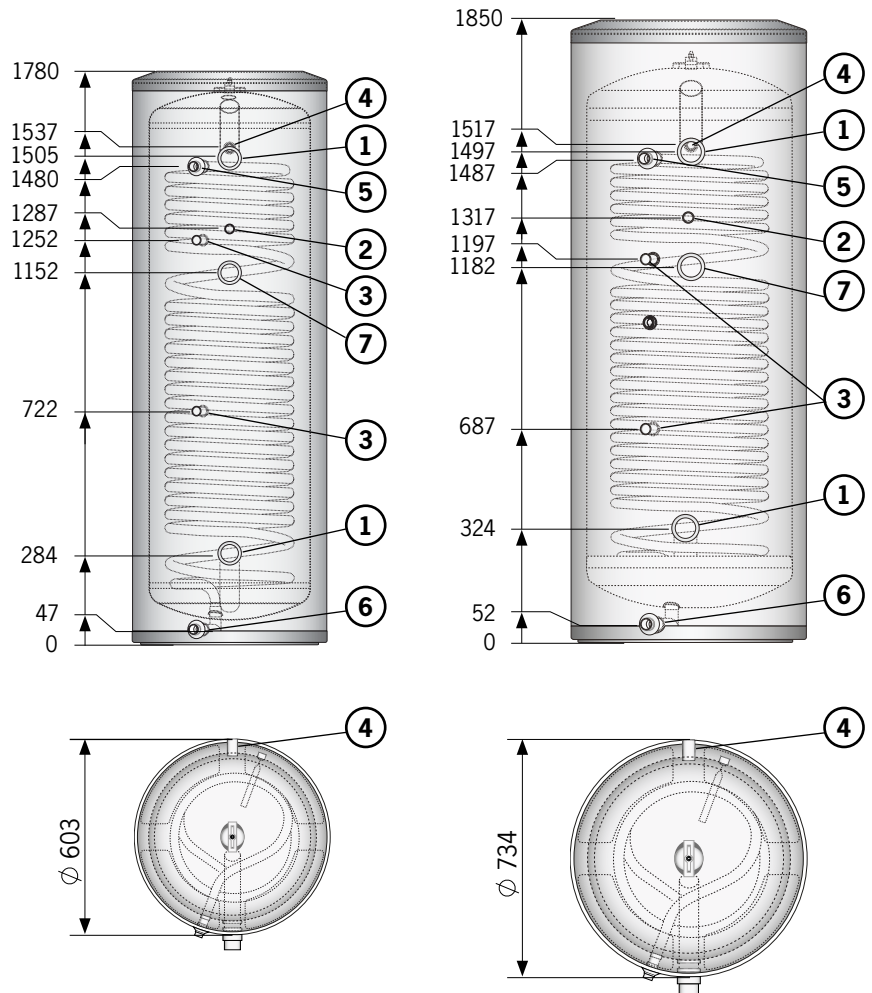
WT-T 500



# Technical data WT-T 300 WT-T 500

## Connections

- 1 Connections (2x), DN50 int.
- 2 Circulation, DN25 int.
- 3 Temperature sensor conn. DN15 int.
- 4 Temperature sensor conn. DN15 int (located on the "backside")
- 5 Coil supply, DN25 int.
- 6 Coil return, DN25 int.
- 7 Immersion heater conn. DN50 int.



## Dimensions

WT-T 300	
Height (mm)	1780
Width (mm)	603
Depth (mm)	603

WT-T 500	
Height (mm)	1850
Width (mm)	734
Depth (mm)	734

WT-T 300	
Corrosion protection	stainless
Volume hot water accumulator (litres)	300
Length, coil (m)	30
Heating surface, coil (m <sup>2</sup> )	2,9
Working pressure (bar)	10
Test pressure (bar)	14,3
Max. pressure, coil (bar)	10
Rated temperature (°C)	95
Immersion heater, max. output (kW)	6
Max. immersion heater length (mm)	460
Weight (kg)	63

WT-T 500	
Corrosion protection	stainless
Volume hot water accumulator (litres)	500
Length, coil (m)	39
Heating surface, coil (m <sup>2</sup> )	3,7
Working pressure (bar)	10
Test pressure (bar)	14,3
Max. pressure, coil (bar)	10
Rated temperature (°C)	95
Immersion heater, max. output (kW)	9
Max. immersion heater length (mm)	570
Weight (kg)	88

Required ceiling height for tilting: min. 1845 mm

Required ceiling height for tilting: min. 1960 mm